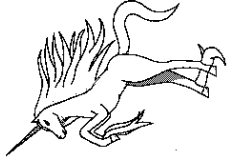




From "MSX Datapaek Volume 1", ASCII Co., Japan  
By "Cyberknight" Massao Kawata

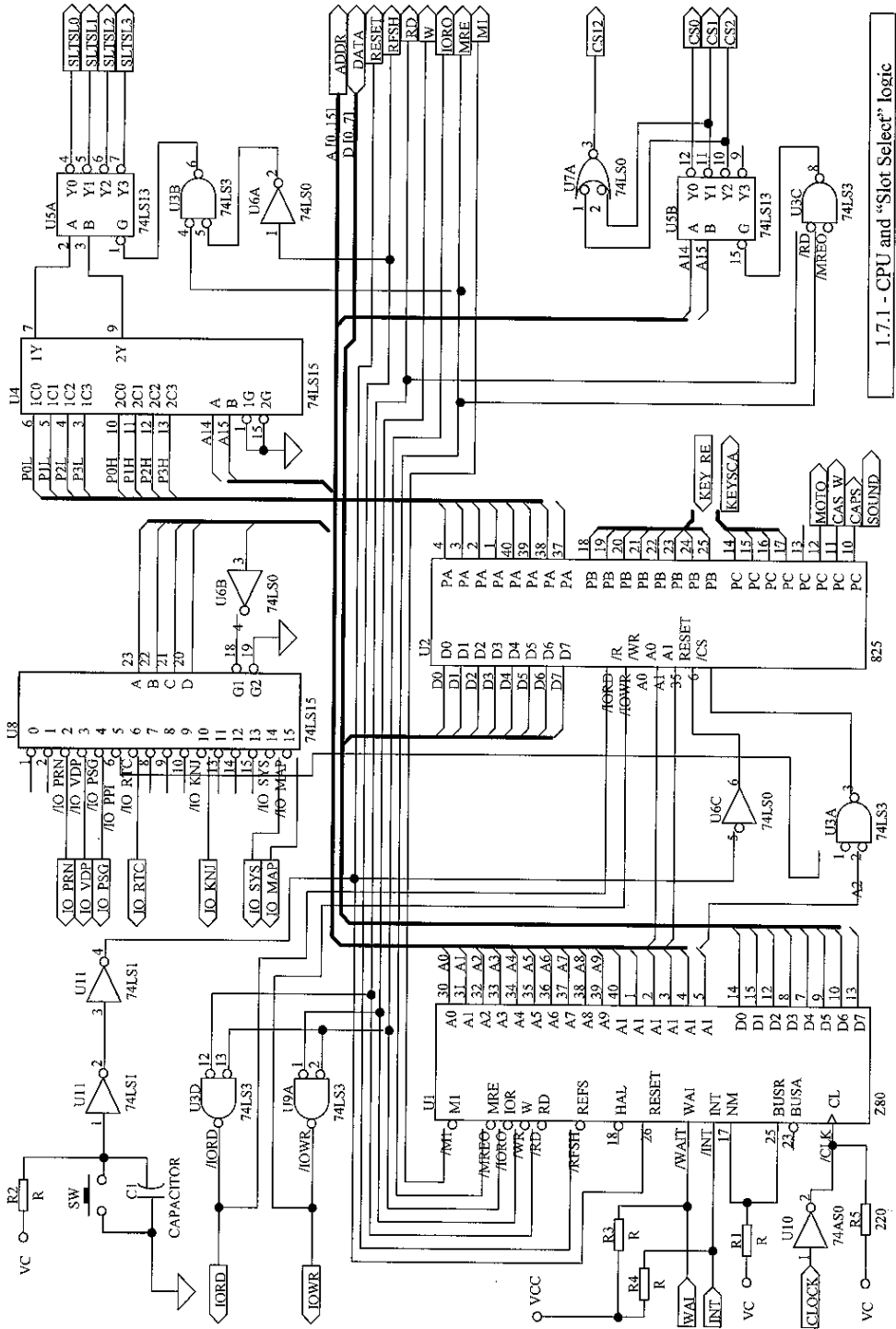


*Hardware MSX2+.*

**Notas do tradutor**

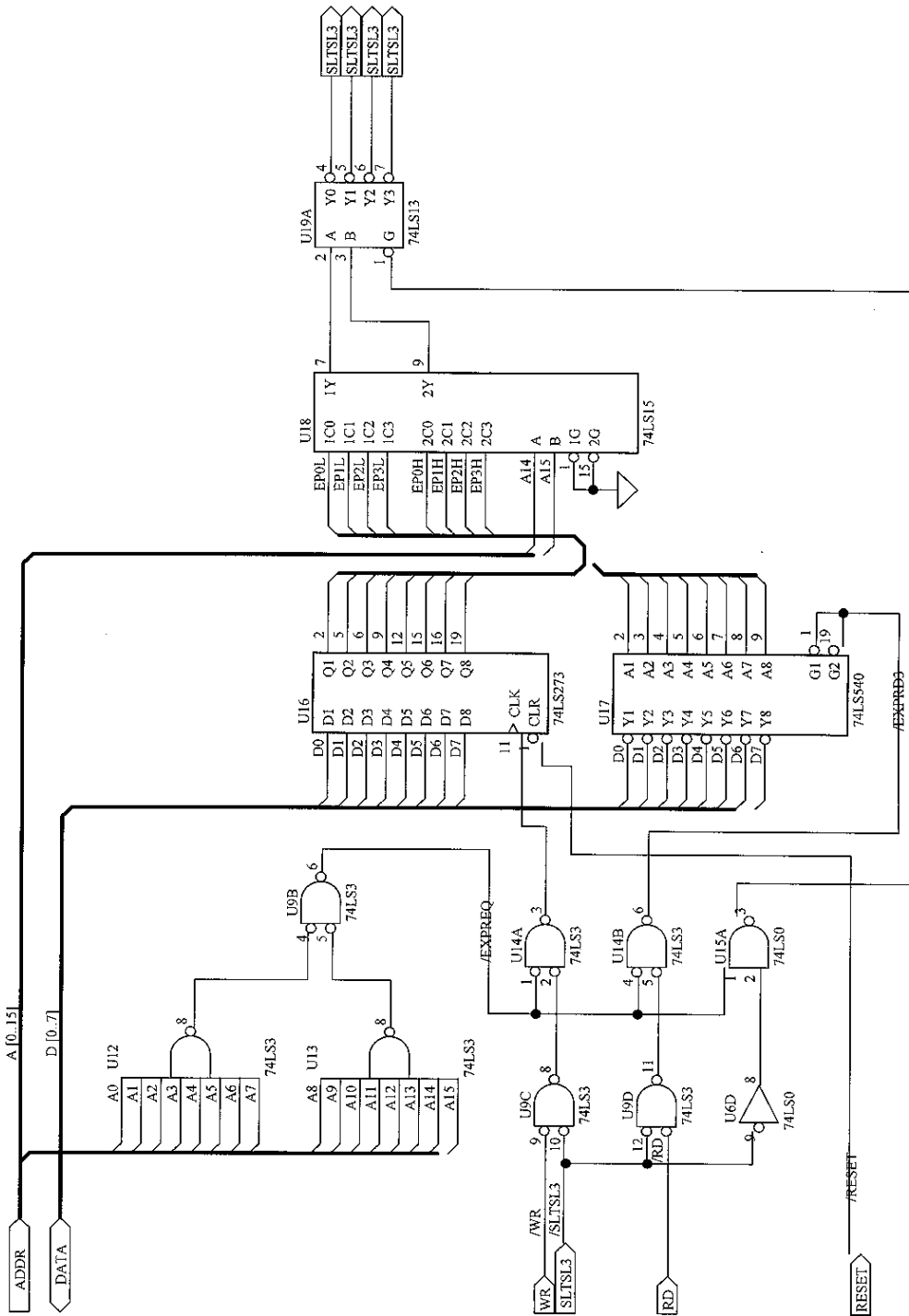
- 1 - CPU and "Slot Select logic
- 2 - Expanded Slot Select logic;
- 3 - System Control Port
- 4 - System ROM
- 5 - Main RAM
- 6 - VDP
- 7a - PSG
- 7b - System Wait logic
- 8 - Kanji ROM
- 9 - Printer Interface
- 10 - Real Time Clock
- 11 - Cartridge Slot
- \* - Memory Mapper

**Converted to PDF by HansO, 2001**

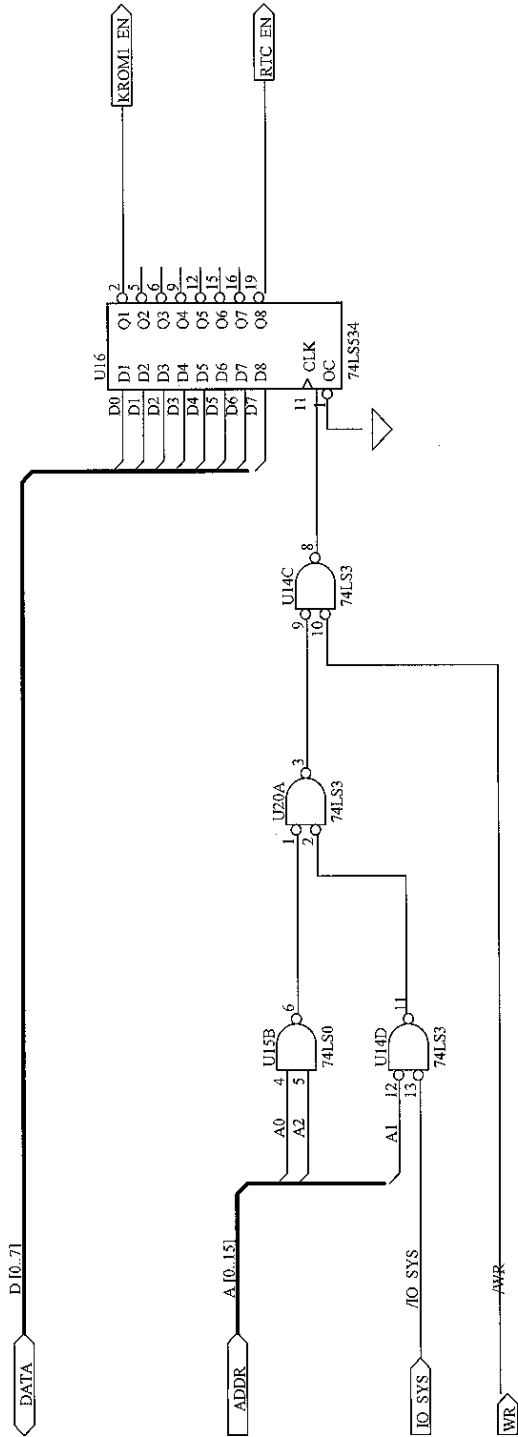


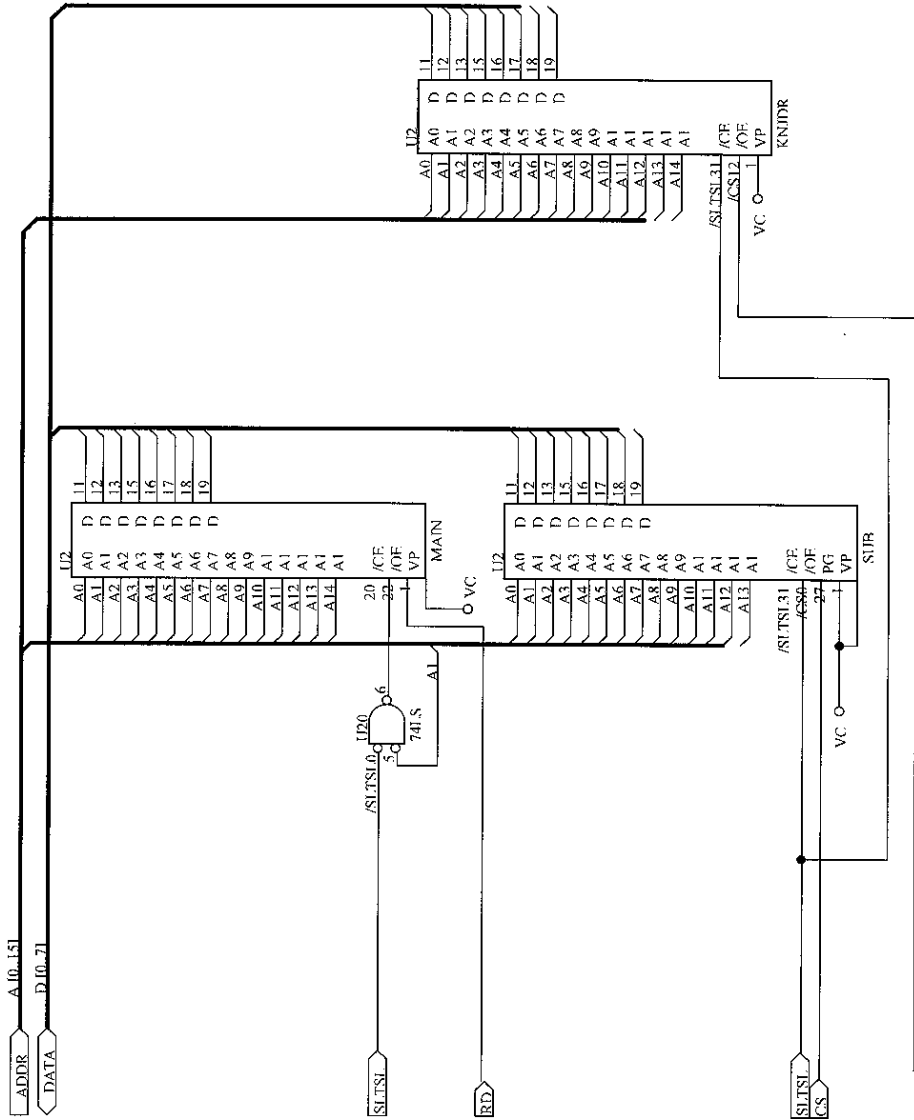
1.7.1 - CPU and "Slot Select" logic

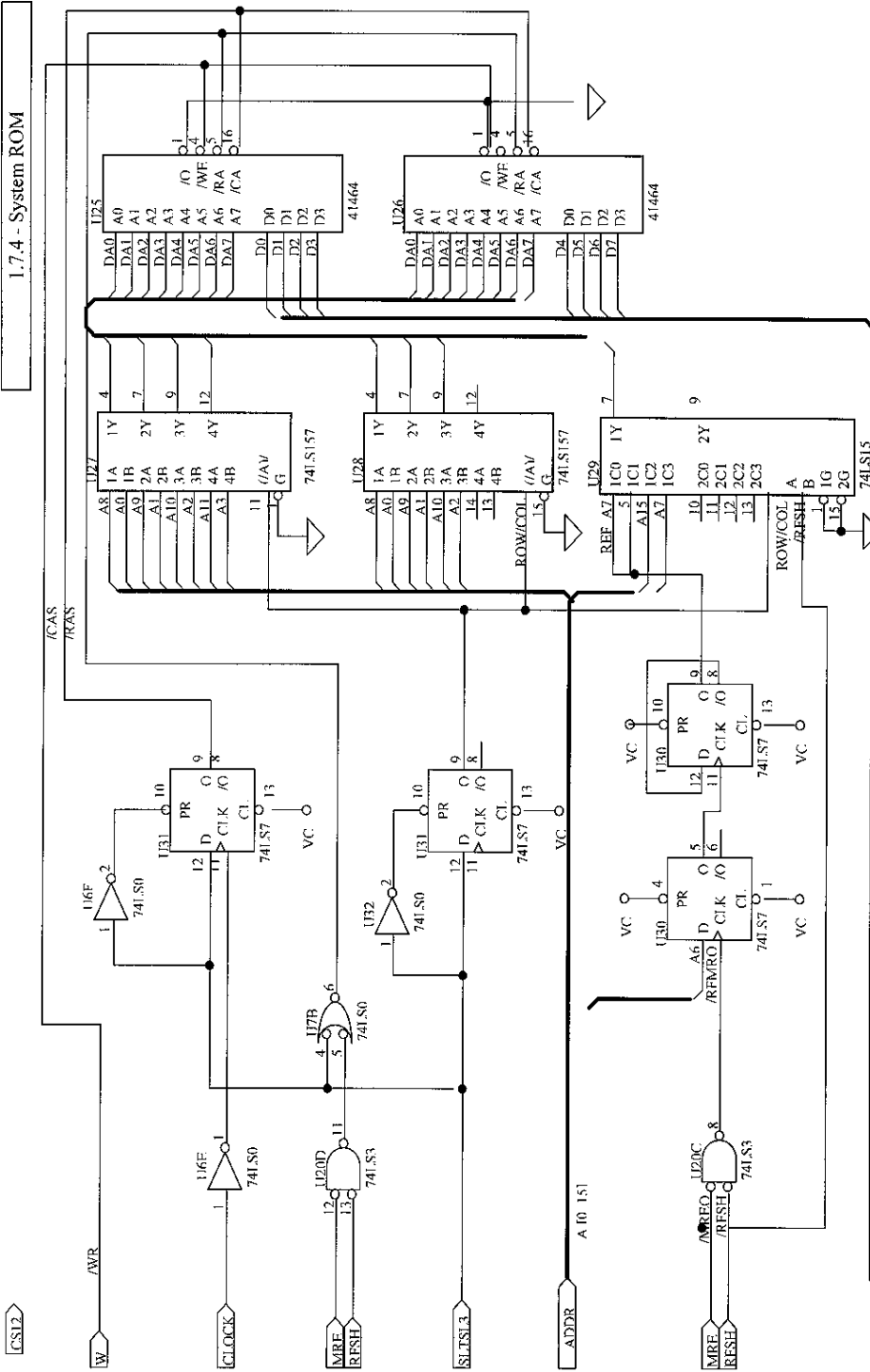
1.7.2 - "Expanded Slot Select" logic

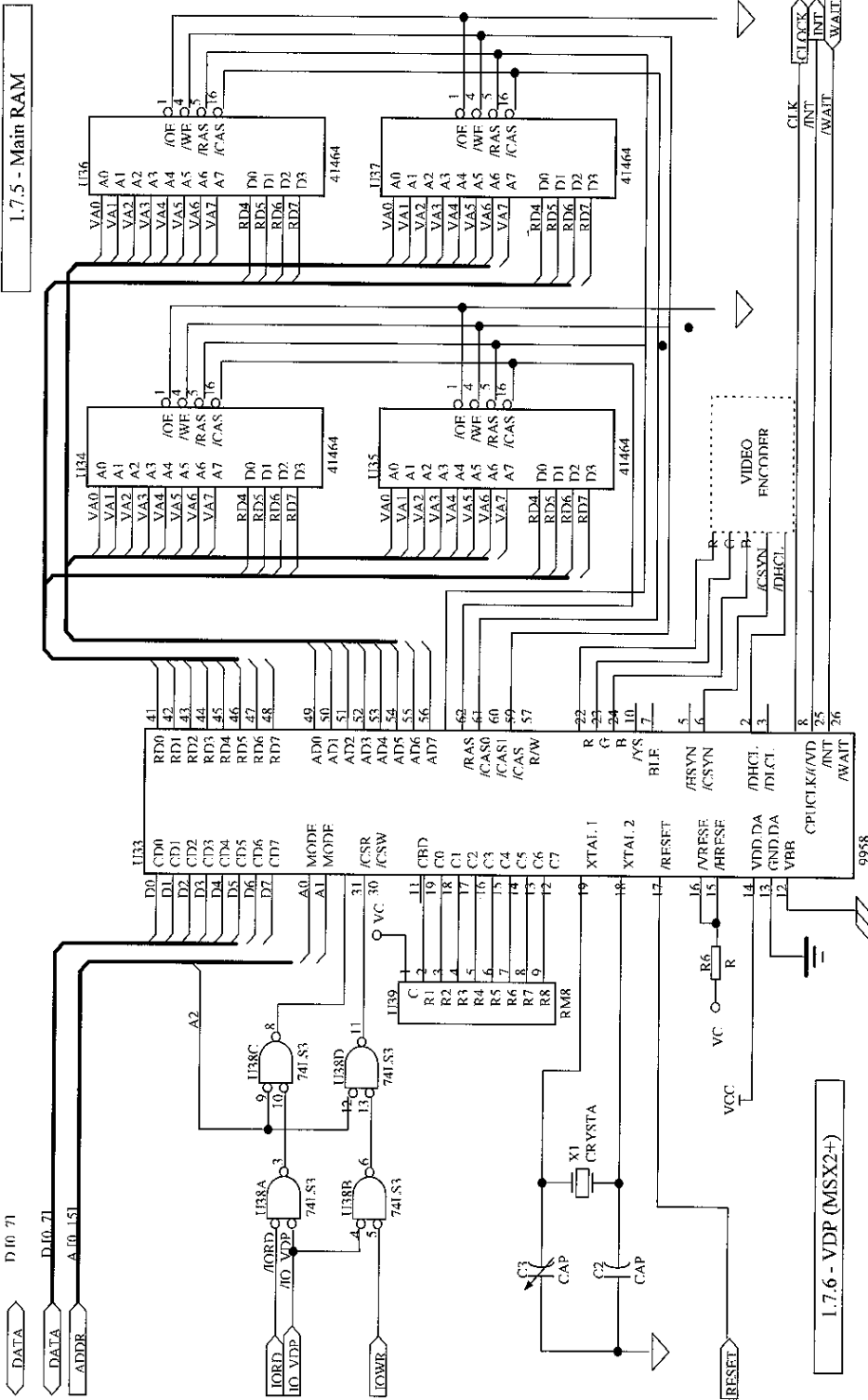


1.7.3 - System Control Port









D[0..7]

D[10..21]

A[0..15]

DATA

DATA

ADDR

RESET

CLK  
/INT  
/WAIT

U134  
A0-A7  
D0-D3  
/OE  
/WE  
/RAS  
/CAS

U135  
A0-A7  
D0-D3  
/OE  
/WE  
/RAS  
/CAS

U136  
A0-A7  
D0-D3  
/OE  
/WE  
/RAS  
/CAS

U137  
A0-A7  
D0-D3  
/OE  
/WE  
/RAS  
/CAS

VIDEO  
FNCDPR  
/DHCL  
/DHCL

9958  
/INT  
/WAIT

CPCLK/HVD

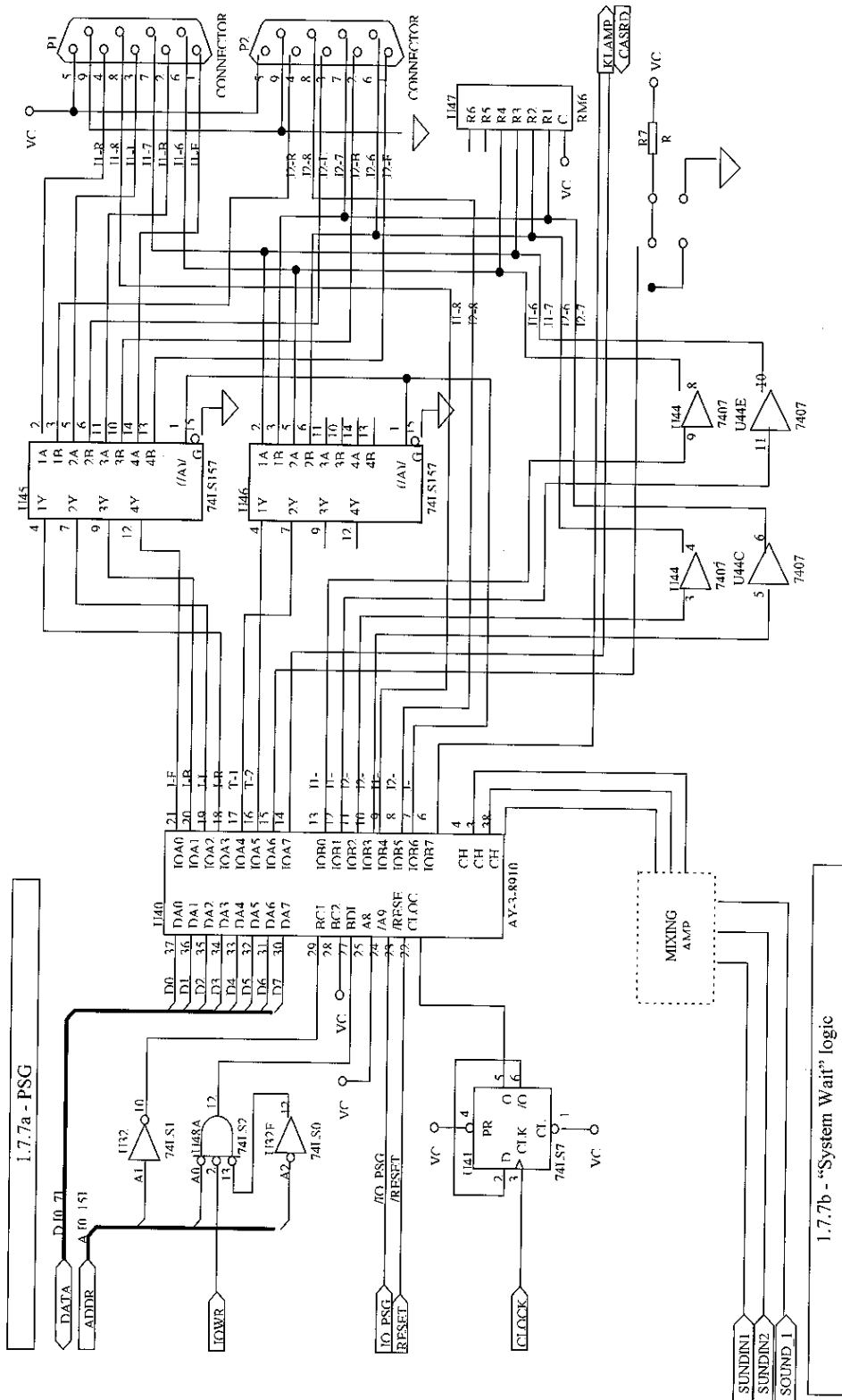
9958

9958

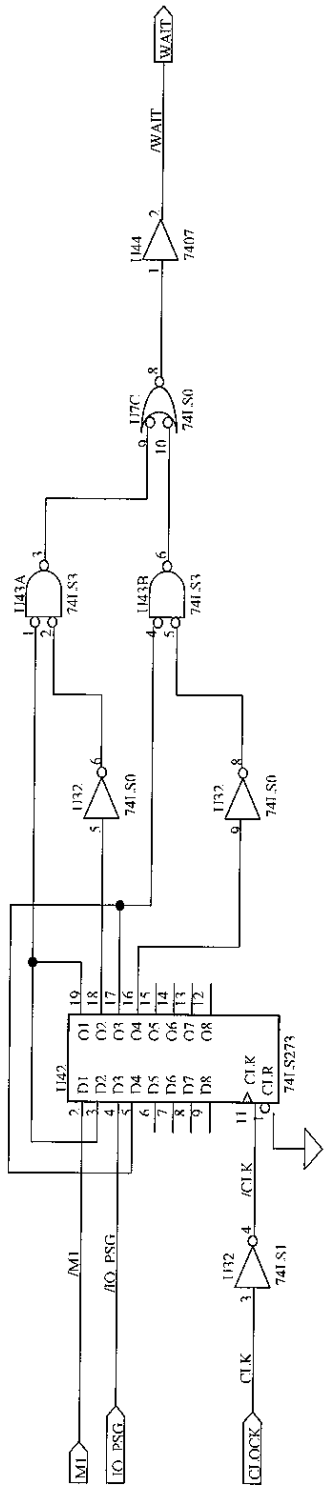
9958

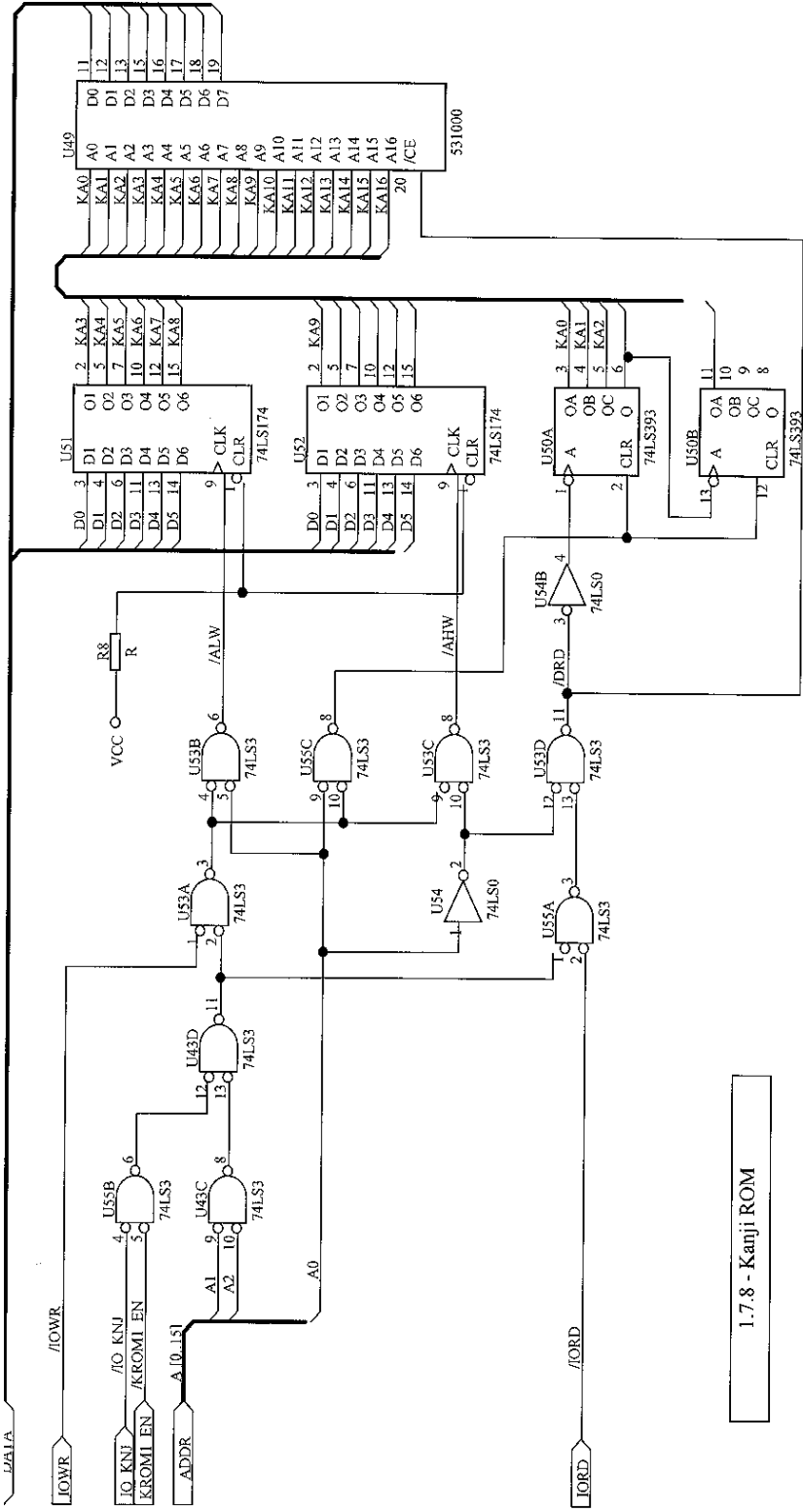
9958

9958

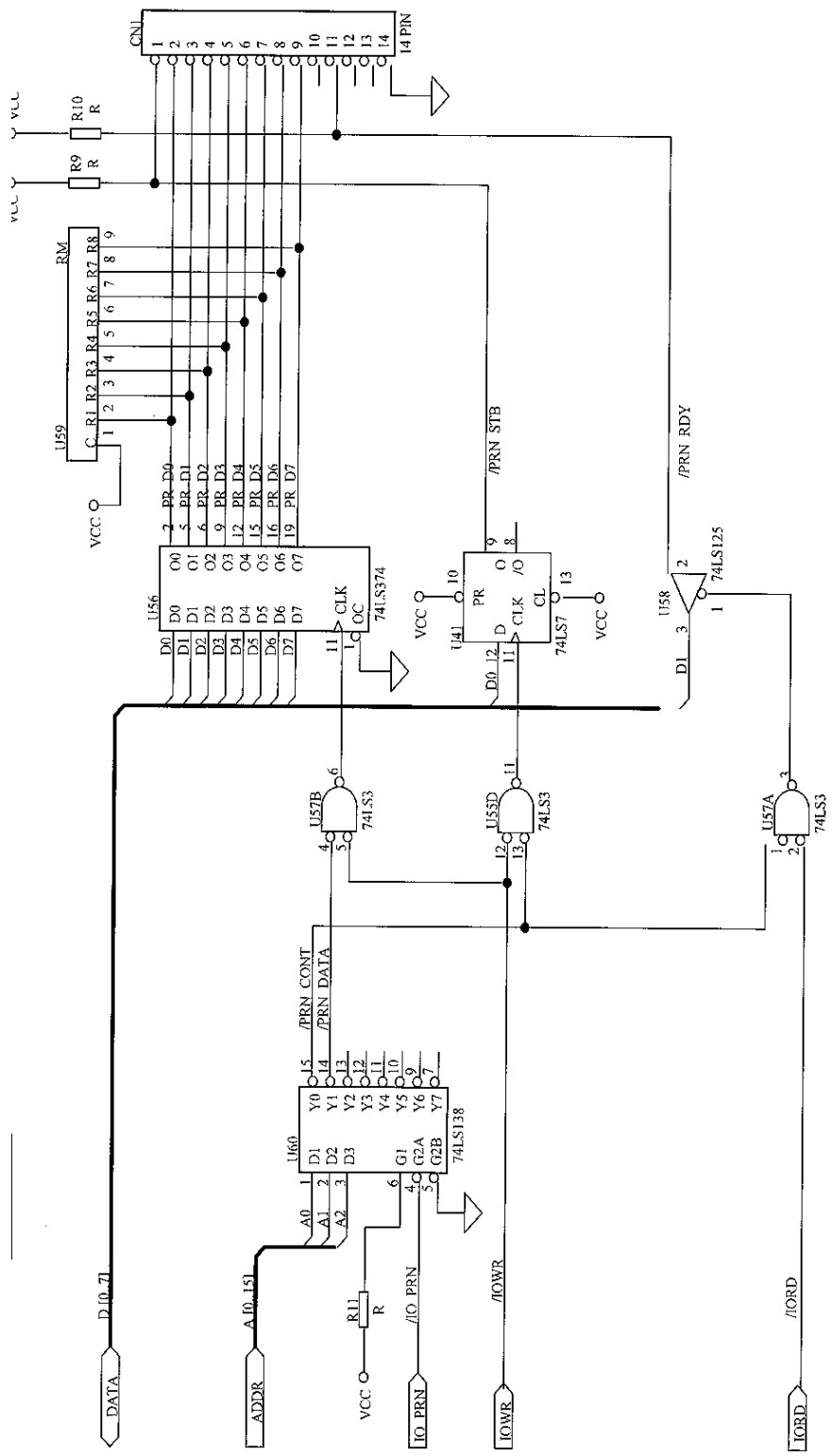


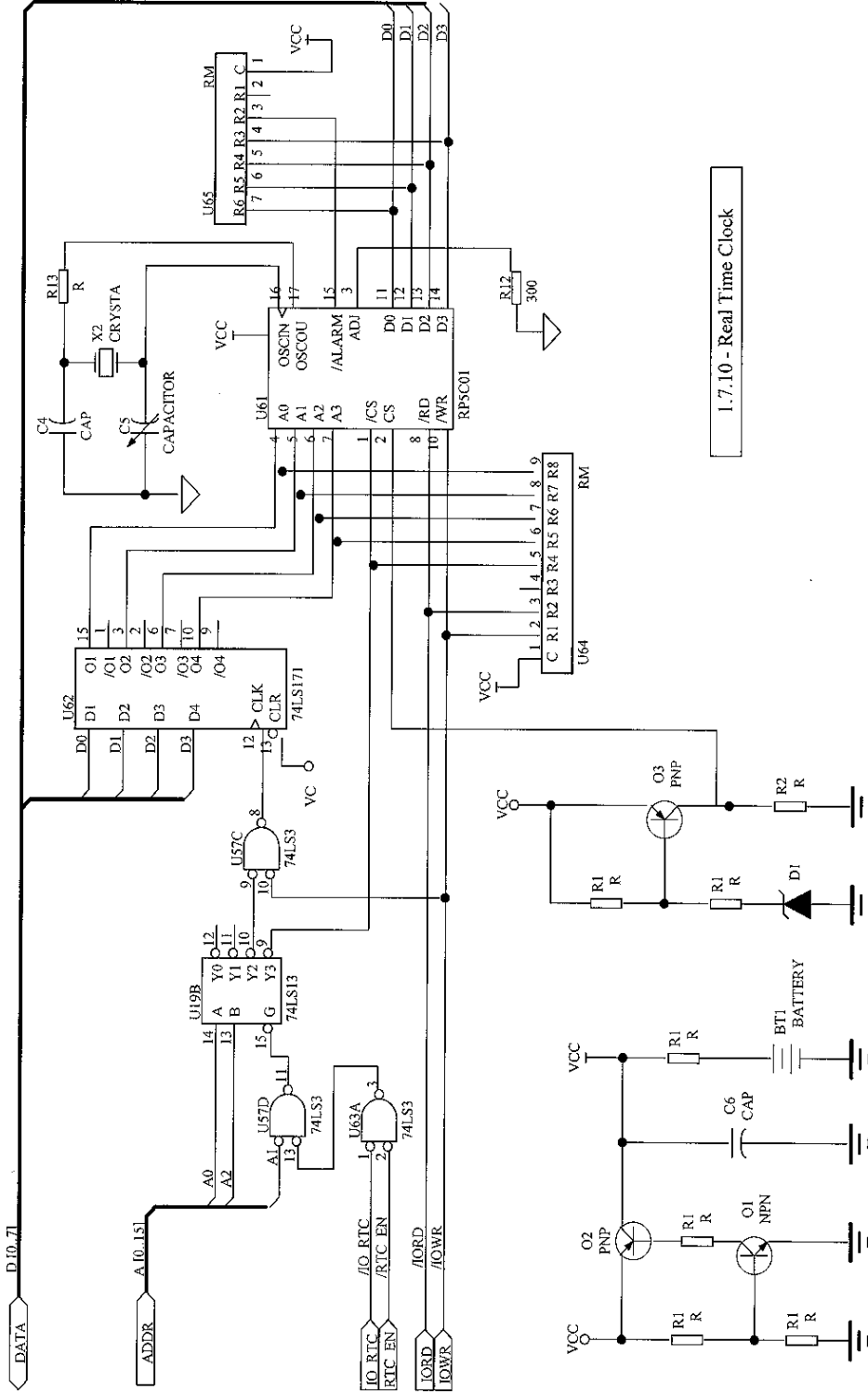




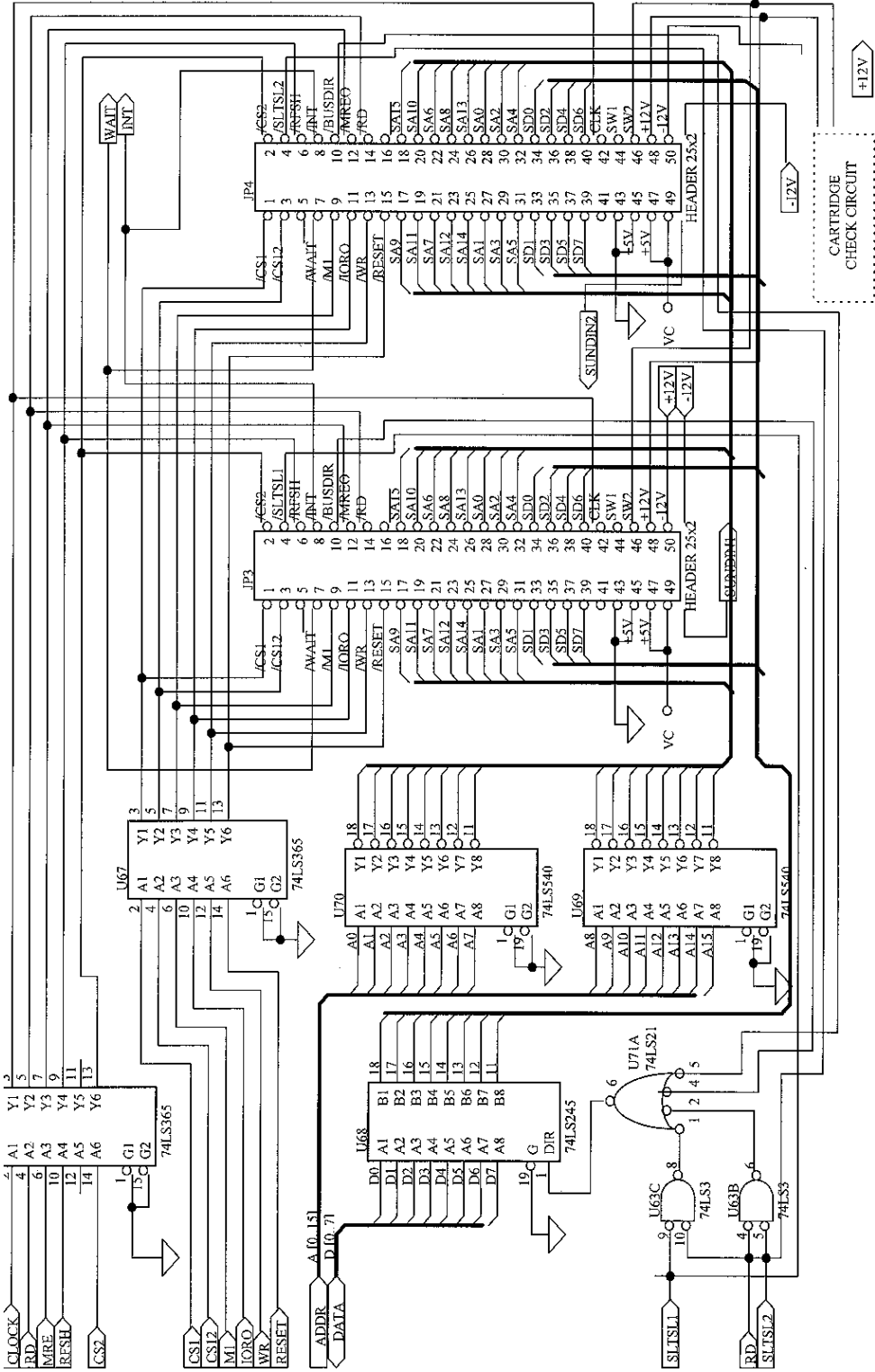


1.7.8 - Kanji ROM





1.7.10 - Real Time Clock



+12V

-12V

CARTRIDGE CHECK CIRCUIT

+12V

-12V

+12V

-12V

+12V

-12V

+12V

-12V

+12V

-12V

+12V

-12V

+12V

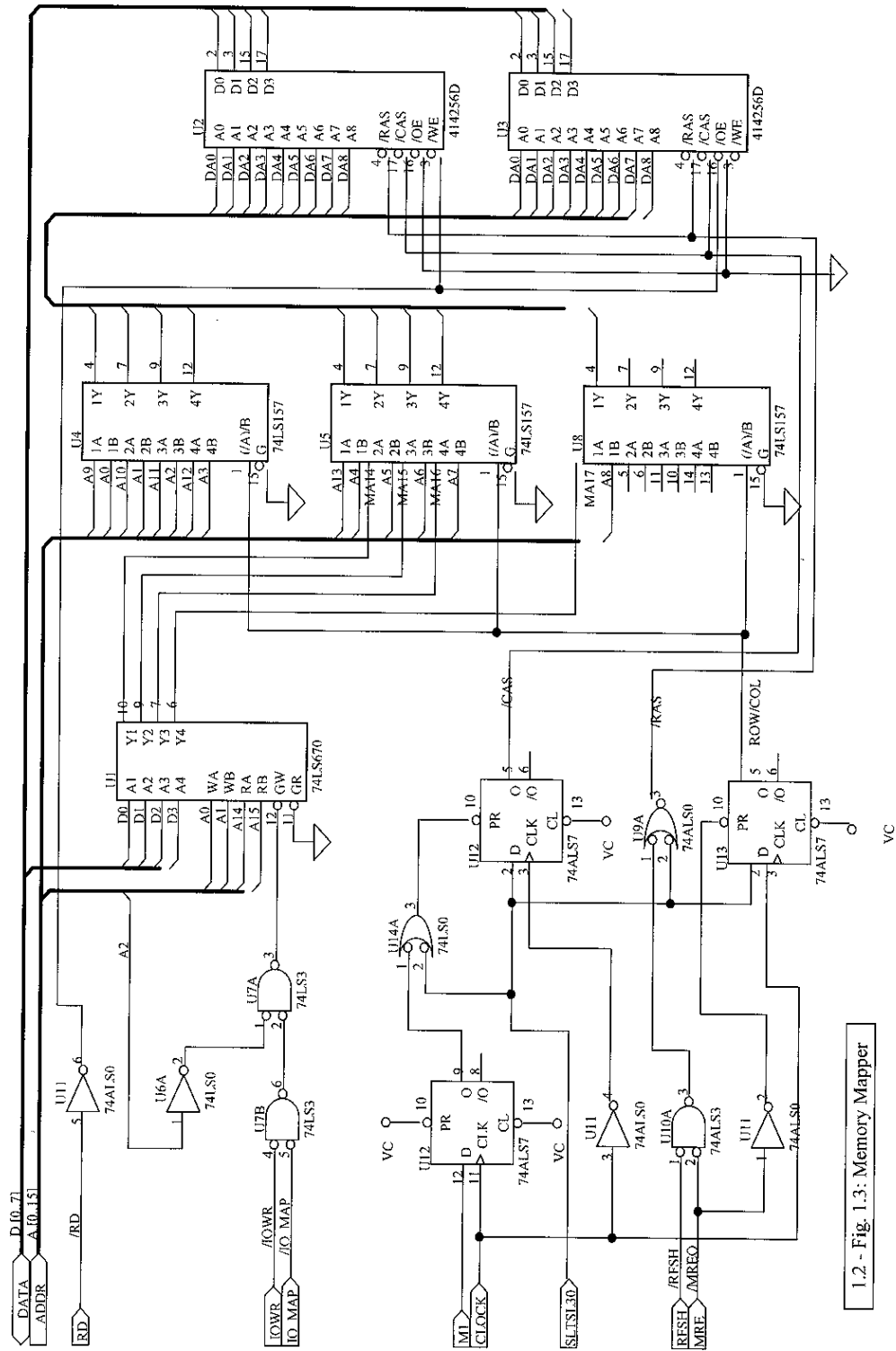
-12V

+12V

-12V

+12V

-12V



1.2 - Fig. 1.3: Memory Mapper